

# EQN1218-10 Negative Slope Equalizer

12.0 to 18.0 GHz



## Technical Characteristics

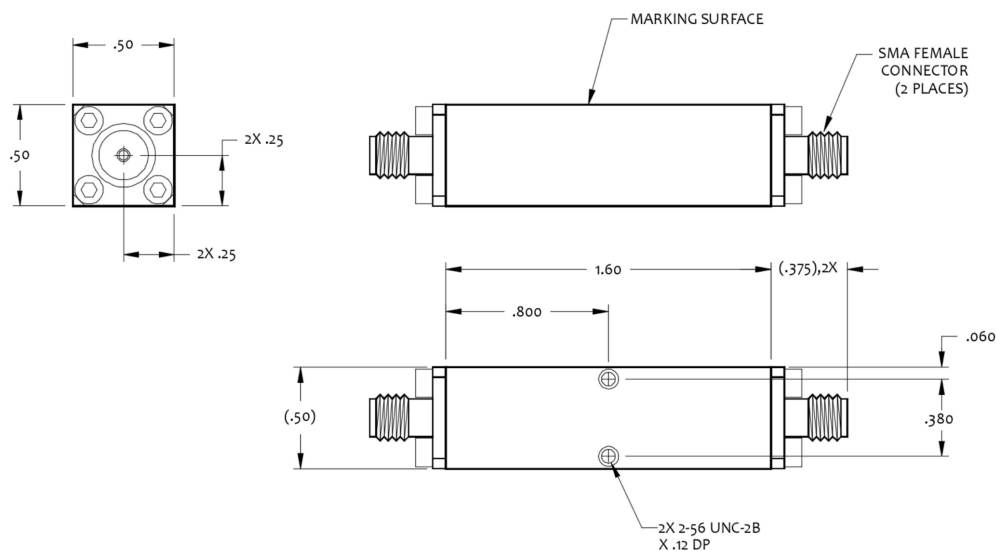
Product Features
Fixed or adjustable attenuation tuning
Low insertion loss
SMA connector standard
Impedance 50 or 75 ohms
Compact size
Meets MIL-E-5400 and MIL-E-16400 environmental requirements

Maximum Ratings	
Max. Input Power	250mW
Operating Temperature	-55 to +95°C
Storage Temperature	-65 to +125°C
Specifications @	25°C

Maximum Ratings
ECCN: EAR 99 (Unless otherwise specified)
HTS: 8543.7080.00

Parameters	Freq. (GHz)	Minimum	Typical	Maximum	Units	Conditions
Attenuation	12.0 to 18.0		10.0		dB	
Insertion Loss	18.0		1.5		dB	
VSWR	12.0 to 18.0		1.8:1			
Linearity	12.0 to 18.0		+/-1.0		dB	
Max. Input Power	12.0 to 18.0			250	mW	

## Package Outline



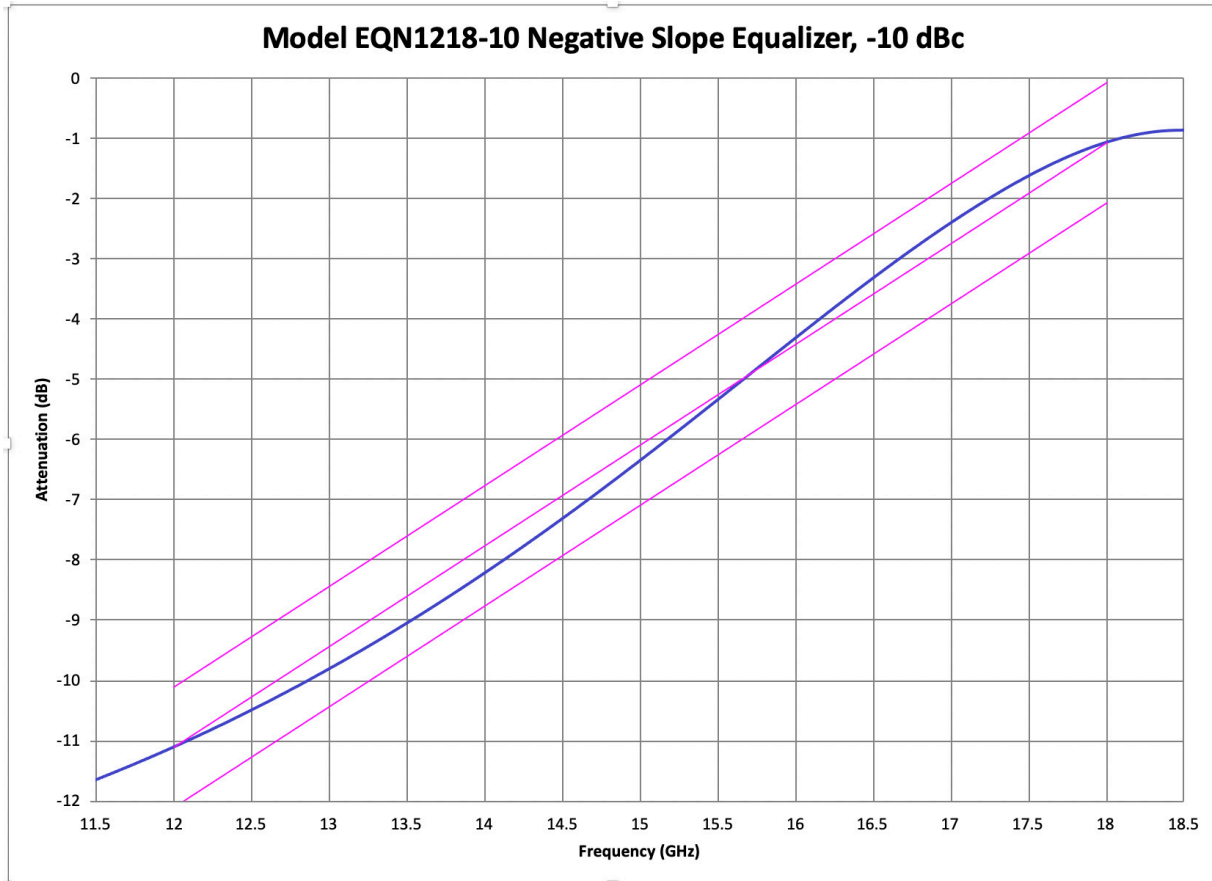
DISCLAIMER: Subject to change without notice.  
Rev(B) 09/12/19

# EQN1218-10 Negative Slope Equalizer

12.0 to 18.0 GHz



## Test Data



DISCLAIMER: Subject to change without notice.  
Rev(B) 09/12/19